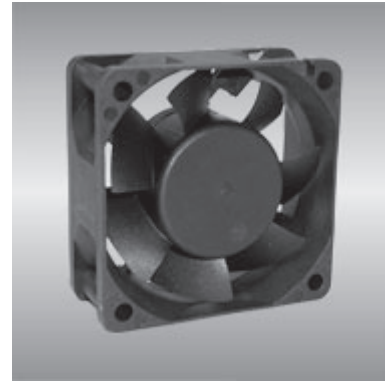


# 60 AG series

x60x25mm



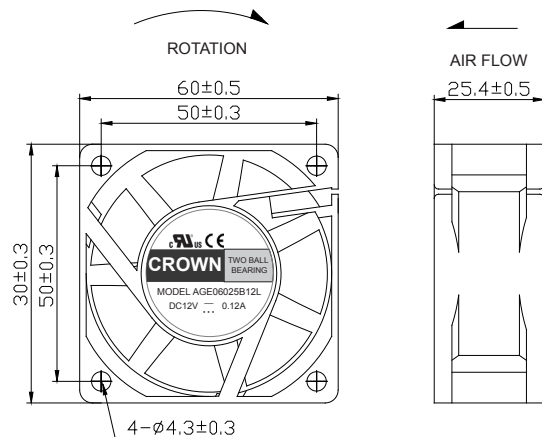
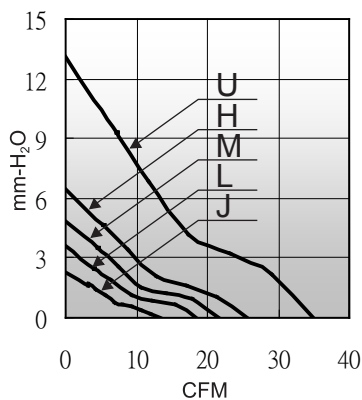
## General Specifications

- Motor : 4 Poles brushless DC motor
- Frame & Impeller : Plastic(UL 94V-0)
- Storage temperature : -40° to +75°
- Operating temperature : -10° to +70°

## Major Characteristic Parameters

Model	*Bearing System	Rated Voltage	Operating Voltage Range	Rated Current	Rated Speed	Maximum Air Flow		Maximum Static Pressure		Sound Level	Weight
Part NO.	B / S / F	V	V	A	RPM	m <sup>3</sup> /min	CFM	mm-H <sub>2</sub> O	In-H <sub>2</sub> O	dBA	g
AGE06025_12J	B / S	12	7.0~13.2	0.10	3100	0.40	14.1	2.5	0.10	26.0	57
AGE06025_24J	B / S	24	14.0~26.4	0.06	3100	0.40	14.1	2.5	0.10	26.0	57
AGE06025_48J	B / S	48	28.0~56.0	0.05	3100	0.40	14.1	2.5	0.10	26.0	57
AGE06025_12L	B / S	12	7.0~13.2	0.12	3600	0.52	18.5	3.6	0.14	31.0	57
AGE06025_24L	B / S	24	14.0~26.4	0.08	3600	0.52	18.5	3.6	0.14	31.0	57
AGE06025_48L	B / S	48	28.0~56.0	0.06	3600	0.52	18.5	3.6	0.14	31.0	57
AGE06025_12M	B / S	12	7.0~13.2	0.16	4250	0.61	21.5	4.8	0.19	34.0	57
AGE06025_24M	B / S	24	14.0~26.4	0.11	4250	0.61	21.5	4.8	0.19	34.0	57
AGE06025_48M	B / S	48	28.0~56.0	0.07	4250	0.61	21.5	4.8	0.19	34.0	57
AGE06025_12H	B / S	12	7.0~13.2	0.35	5000	0.73	25.6	6.5	0.26	40.0	57
AGE06025_24H <sup>o</sup>	B / S	24	14.0~26.4	0.20	5000	0.73	25.6	6.5	0.26	40.0	57
AGE06025_48H	B / S	48	28.0~56.0	0.12	5000	0.73	25.6	6.5	0.26	40.0	57
AGE06025_12U	B	12	7.0~13.2	0.36	6800	0.99	34.8	13.0	0.51	46.5	57

\*Bearing system B: Two Ball Bearing F: Fluid Bearing S: Sleeve Bearing



unit:mm